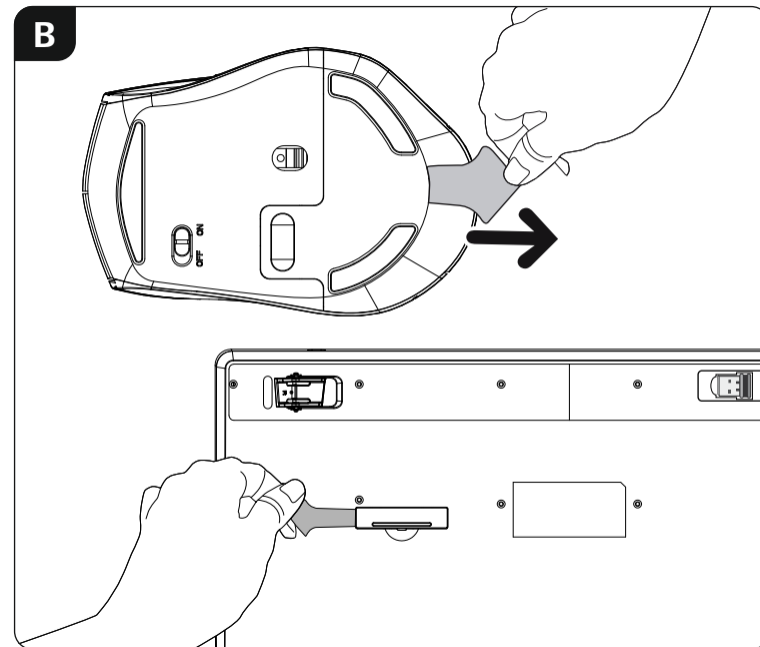
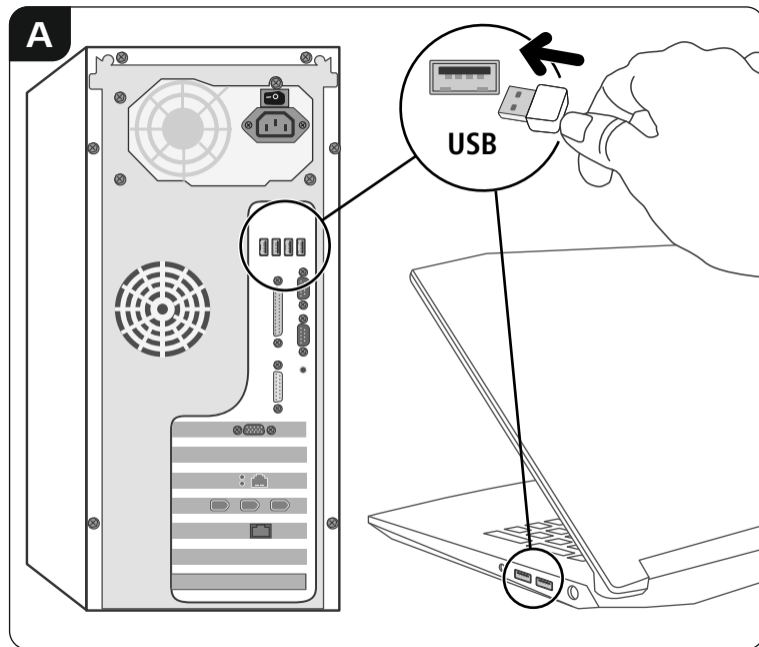
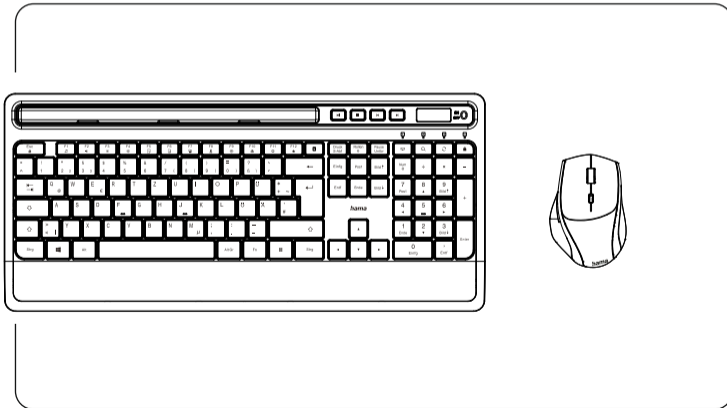


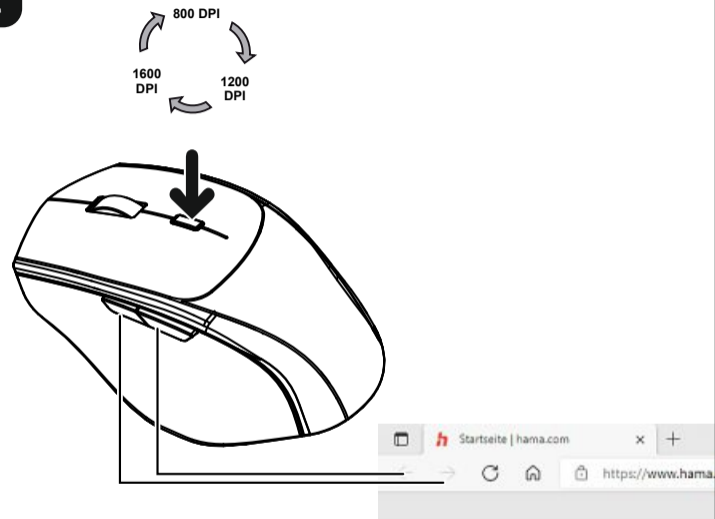
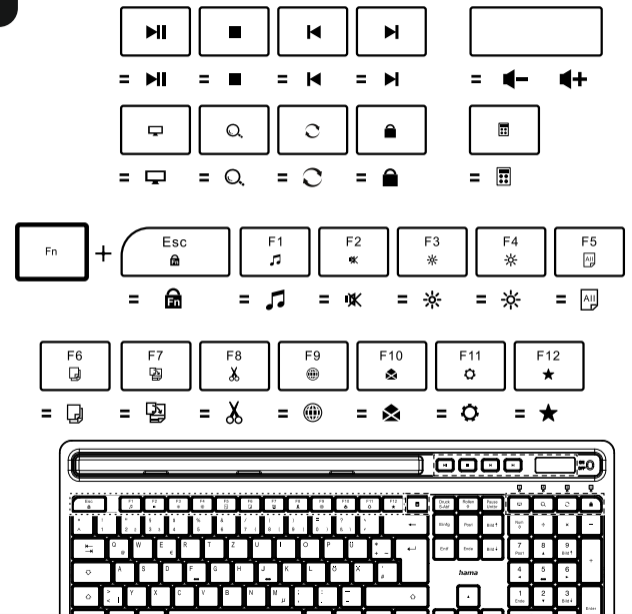
hama

XX
182685

Keyboard and Mouse Combo

KMW-600



C**D**

www.hama.com/nep

All listed brands are trademarks of the corresponding companies. Errors and omissions excepted, and subject to technical changes. Our general terms of delivery and payment are applied.

hama

Hama GmbH & Co KG
86652 Monheim / Germany
www.hama.com



xx182685/01.22